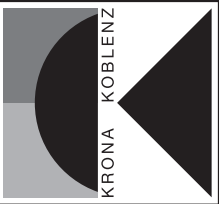


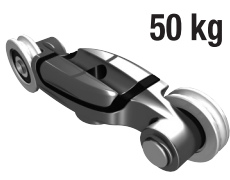
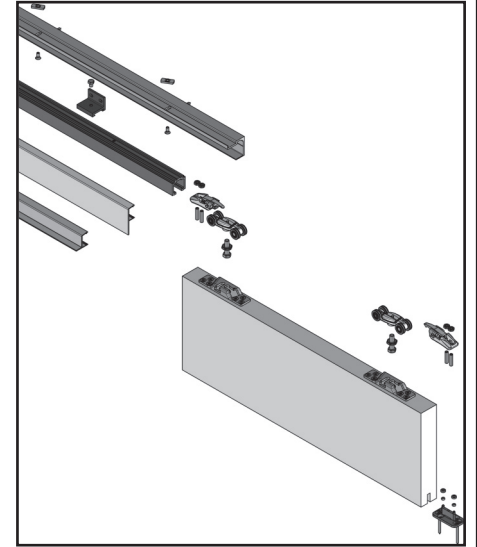
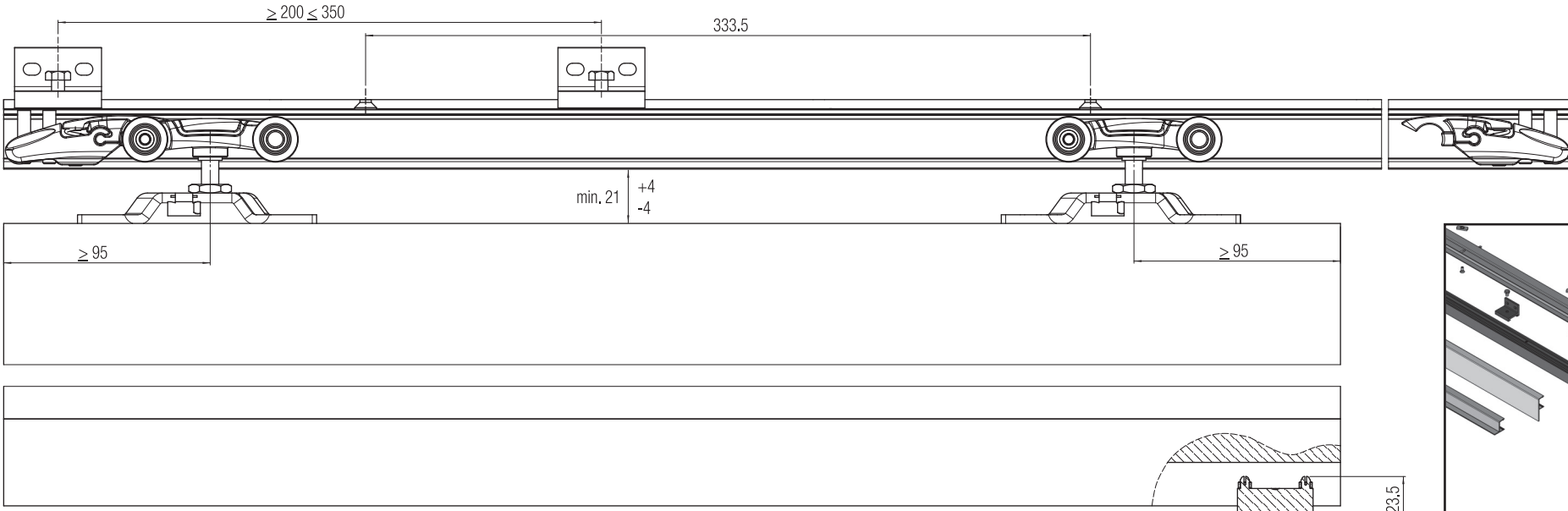
SYSTEM 0500/50/80/120



www.k-group.com



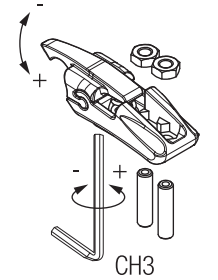
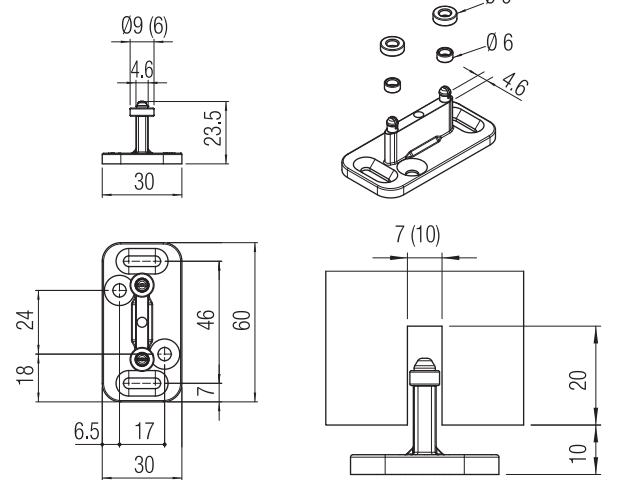
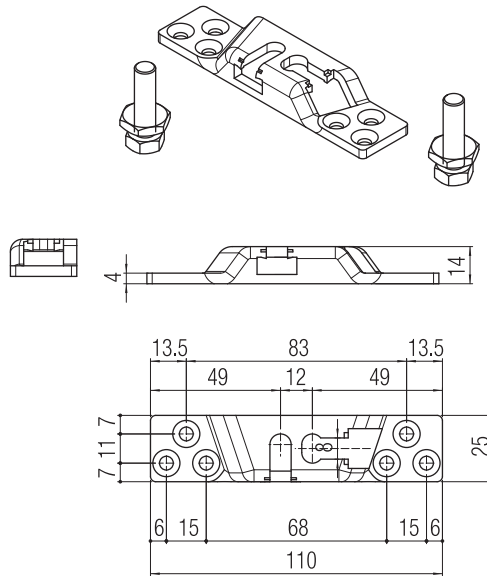
Istruzioni di Montaggio - Instrucciones de montaje - Montageanleitung - Assembling Instructions - Instructions de Montage - Montagehandleiding - Инструкции по монтажу



50 kg



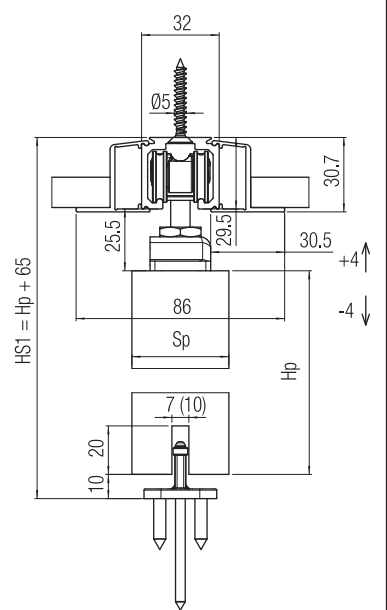
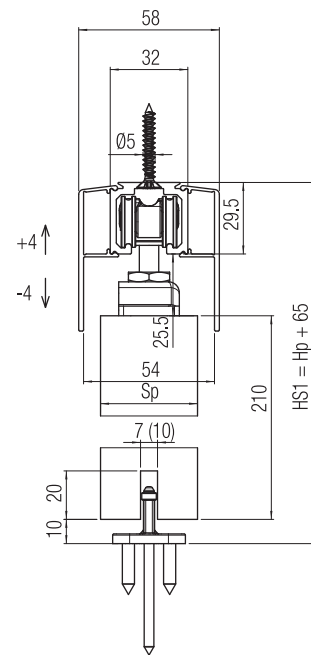
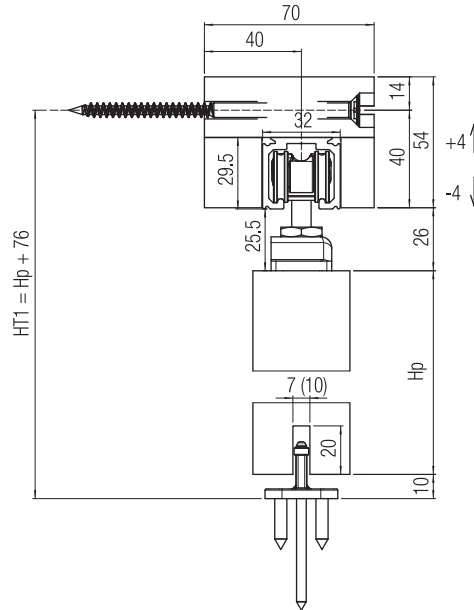
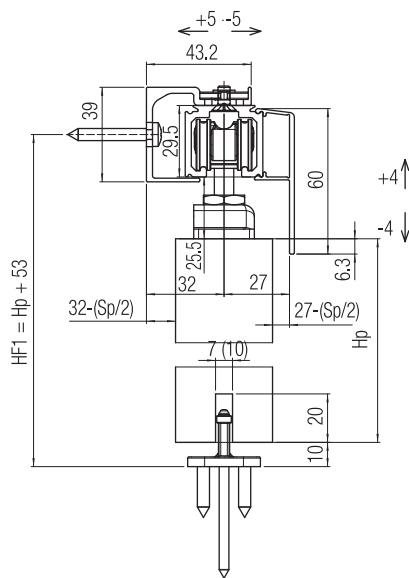
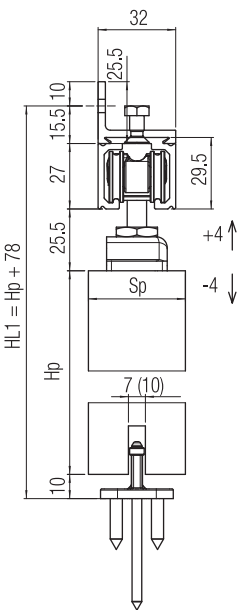
80/120 kg



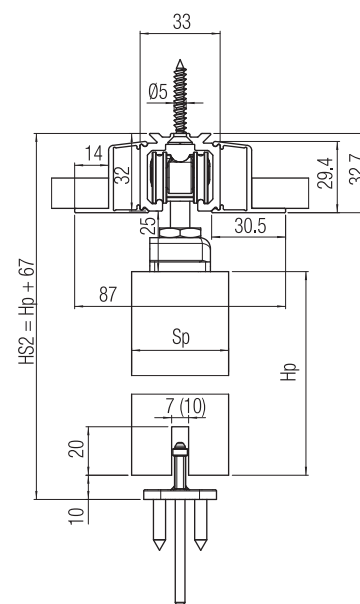
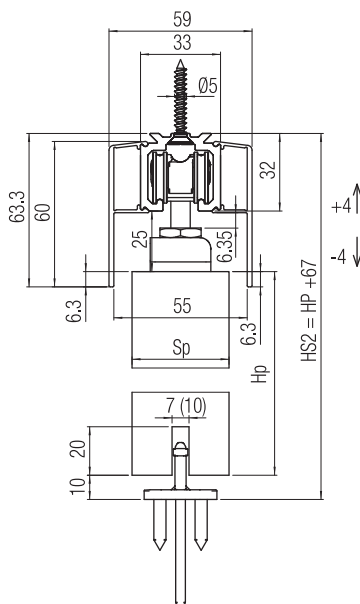
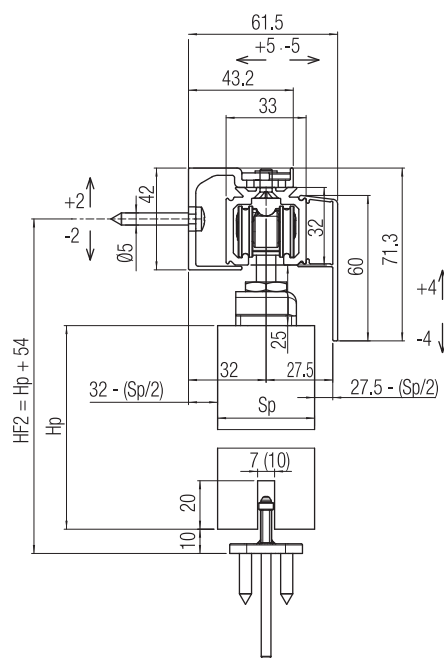
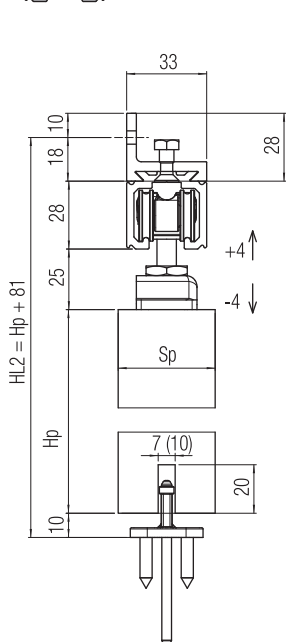
CH3



80 kg



120 kg



Lp= Larghezza pannello
Hp= Altezza pannello
Sp / Spv= Spessore pannello
HS1 / HL1 / HF1 / HT1 / HS2 / HL2 / HF2= Altezza fissaggi parete

Lp= Anchura panel
Hp= Altura panel
Sp / Spv= Espesor panel
HS1 / HL1 / HF1 / HT1 / HS2 / HL2 / HF2= Altura fijación pared

Lp= Türblattbreite
Hp= Türblatthöhe
Sp / Spv= Türblattdicke
HS1 / HL1 / HF1 / HT1 / HS2 / HL2 / HF2= Wandbefestigungshöhen

Lp= Door leaf width
Hp= Door leaf height
Sp / Spv= Panel thickness
HS1 / HL1 / HF1 / HT1 / HS2 / HL2 / HF2= Wall fixing heights

Lp= Largeur vantail
Hp= Hauteur vantail
Sp / Spv= Epaisseur vantail
HS1 / HL1 / HF1 / HT1 / HS2 / HL2 / HF2= Hauteur fixation parois

Lp= Deurbreedte
Hp= Deurhoogte
Sp / Spv= Paneel dikte
HS1 / HL1 / HF1 / HT1 / HS2 / HL2 / HF2= Hoogte muurbestijging

Lp= Ширина панели
Hp= Высота панели
Sp / Spv= Толщина панели
HS1 / HL1 / HF1 / HT1 / HS2 / HL2 / HF2= Высота фиксации стены